

Resistance thermometers types WTh 20/21/22



Type WTh 20

Version

Plug-in type resistance thermometer

Design

Rigid probe

Sensor

1 x Pt 100
2-, 3- or 4-wire
Class B, IEC 751

Probe

Ø 6 mm, length 50 mm
Stainless steel 1.4571

Electrical connection

Either cable with free ends (standard), plug DIN 43650-A, or miniature round plug, or Lemosia plug

Cable

Either PVC (standard) or silicon or PTFE or fibreglass

Measuring range

-35/+100 °C

Options

- Coated measuring cable
- Sensor class A
- Process connection as adjustable male compression fitting or fixed male connection
- Other probe diameters
- Other probe lengths
- Thermally decoupled
- Bending protection



Type WTh 21

Version

Room and outside resistance thermometer for wall mounting

Design

Closed probe

Sensor

1 x Pt 100
2-, 3- or 4-wire
Class B, IEC 751

Probe

Ø 6 mm, length 44 mm
Stainless steel 1.4571

Electrical connection

Cable gland

Measuring range

-30/+60 °C

Housing

Impact resistant plastic
W x H x D: 58 x 64 x 34 mm

Protection

IP 54 (EN 60529)

Options

- Open probe
- Sensor class A
- Sensor Pt 1000/Ni 1000
- Transmitter installation



Type WTh 22

Version

Resistance thermometer especially for use in air ducts

Sensor

1 x Pt 100
3-wire
Class B, IEC 751

Thermowell

Ø 8 x 1 mm, perforated
Stainless steel 1.4571

Process connection

Fastening flange Ø 41 mm, adjustable, stainless steel

Installation lengths

100, 160, 250 mm

Housing

Impact resistant plastic
W x H x D: 58 x 64 x 34 mm

Protection

IP 54 (EN 60529)

Measuring range

0/130 °C

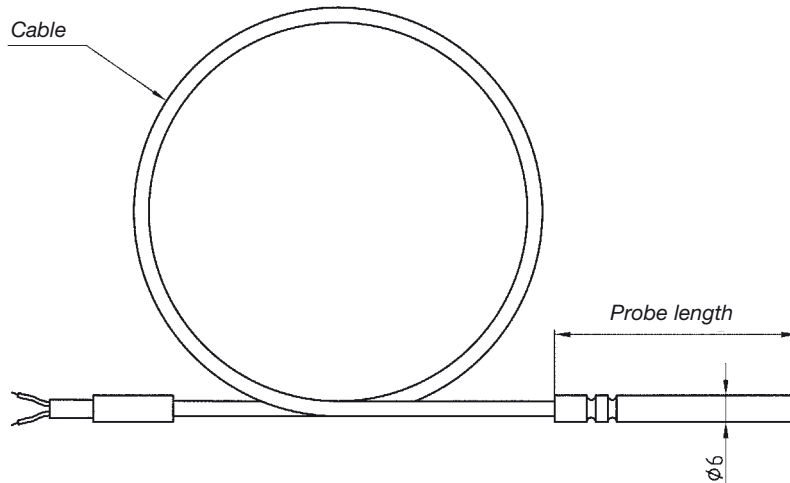
Options

- Process connection G1/2B (adjustable male compression fitting or fixed male connection)
- Transmitter installation (standard: 0/100 °C = 4–20 mA)

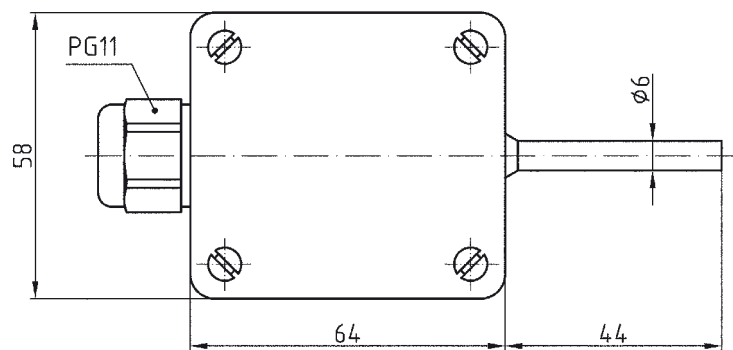
Resistance thermometers types WTh 20/21/22

Dimensions (in mm)

Type WTh 20



Type WTh 21



Type WTh 22

