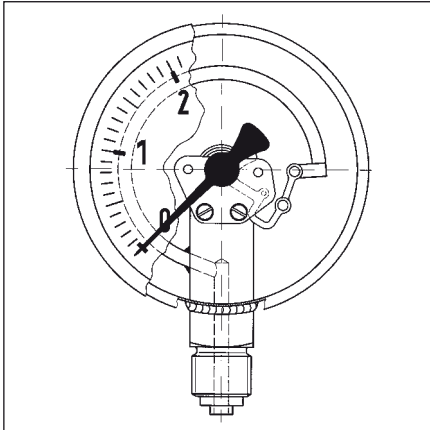


Bourdon tube pressure gauges for chemical applications EN 837-1



Application

For aggressive gaseous and liquid media which are not highly viscous and do not crystallize. Suitable for use in corrosive atmospheres.

! When measuring gas or vapour, the instruments must be used in accordance with the safety recommendations of EN 837-2 (see appendix).

Type

D 9

Nominal size

50 – 63

Accuracy class (EN 837-1/6)

1.6

Ranges (EN 837-1/5)

NG 50:

-1/0 to -1/+15 bar

0/0.6 to 0/600 bar

NG 63:

-1/0 to -1/+15 bar

0/0.6 to 0/1,000 bar

Application area

Static load:

$\frac{3}{4}$ x full scale value

Dynamic load:

$\frac{2}{3}$ x full scale value

Short term:

full scale value

Operating temperature range

Medium: $T_{max} = +150 \text{ }^\circ\text{C}$

Ambient: $T_{min} = -20 \text{ }^\circ\text{C}$

$T_{max} = +60 \text{ }^\circ\text{C}$

Temperature performance

Indication error when the temperature of the measuring element deviates from $20 \text{ }^\circ\text{C}$:

rising temp. approx. $\pm 0.4 \text{ } \%/10 \text{ K}$

falling temp. approx. $\pm 0.4 \text{ } \%/10 \text{ K}$

percentage of full scale value

Protection

IP 65 (EN 60529)

with housing vent ($\leq 25 \text{ bar}$)

IP 54

Standard version

Connection

Stainless steel 316 Ti or 316 L

NG 50 bottom or bottom back

NG 63 bottom or centre back

G $\frac{1}{4}$ B – spanner size 14

(EN 837-1/7.3)

Measuring element

Bourdon tube, stainless steel

316 Ti or 316 L

$\leq 60 \text{ bar}$ „C“ type bourdon tube

$> 60 \text{ bar}$ helical tube

leak tested (EN 837-1/9.5.6)

Movement

Stainless steel

Dial

Aluminium, white

Dial marking black

Pointer

Aluminium, black

Housing

Stainless steel 304 with pressure relief port

Crimped bezel

Stainless steel 304

Front glass

NG 50 plastic

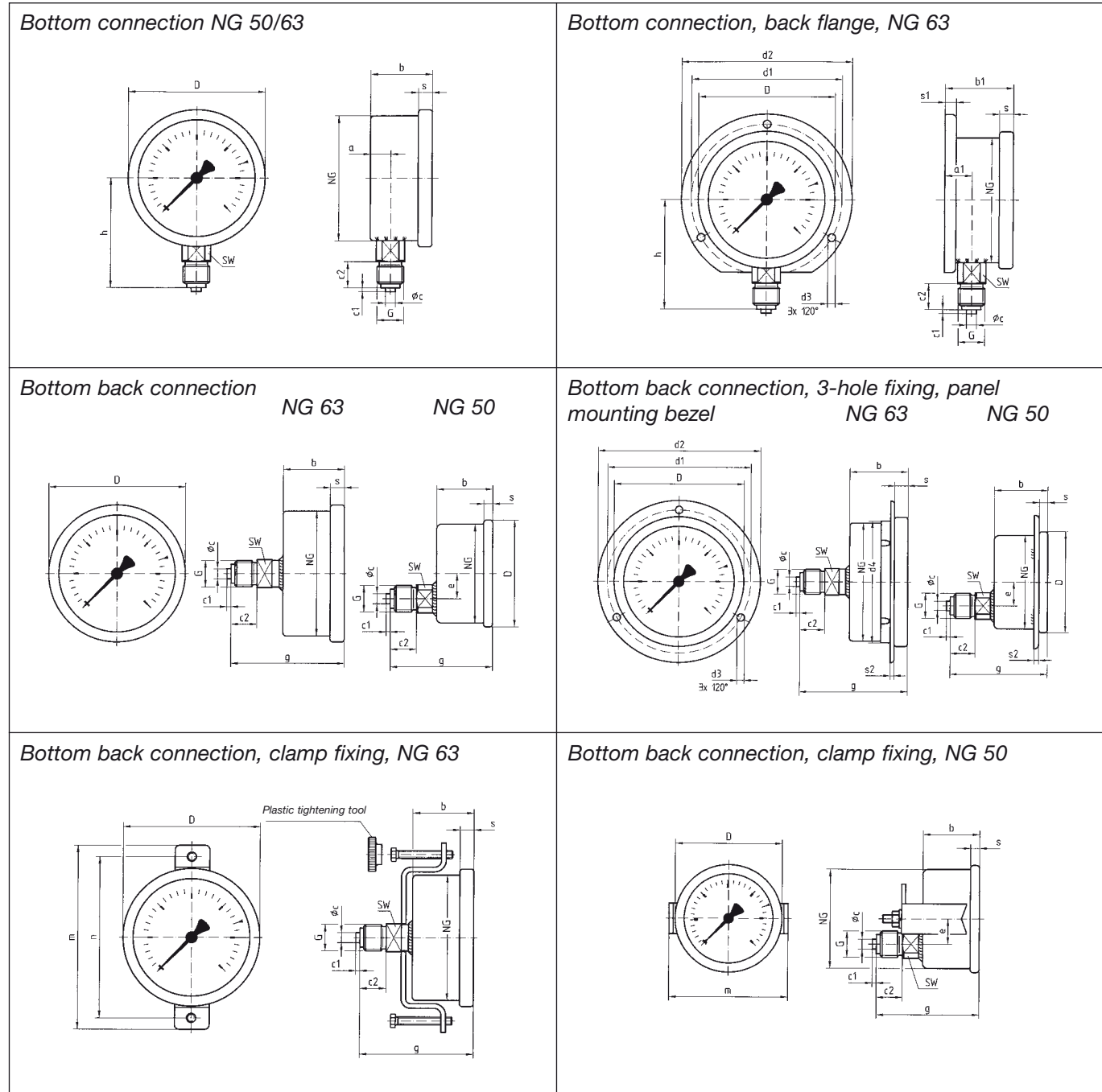
NG 63 laminated safety glass

Options

- Plastic front glass (NG 63)
- Brass movement
- Back flange (NG 63)
- Clamp fixing
- 3-hole fixing, panel mounting bezel (NG 63)
- Crimped bezel, polished
- Special scales

Bourdon tube pressure gauges for chemical applications Type D 9 – NG 50/63

Housing types and dimensions



Dimensions (mm)

Nominal size (NG)	a	a1	b	b1	Øc	c1	c2	d1*	d2*	d3*	d4	D	e	G	g	h	m	n	s	s1	s2
50	10.5	-	28	-	5	2	13	60	70	3.6	-	53	12.5	G1/4B	51	46	59	-	4.5	-	2.5
63	9.5	13	30.5	34	5	2	13	75	85	3.6	64	68	-	G1/4B	56	53	94	82	7	5.5	2
Nominal size (NG)	SW																				
50	14																				
63	14																				

* Dimensions according to DIN 16063