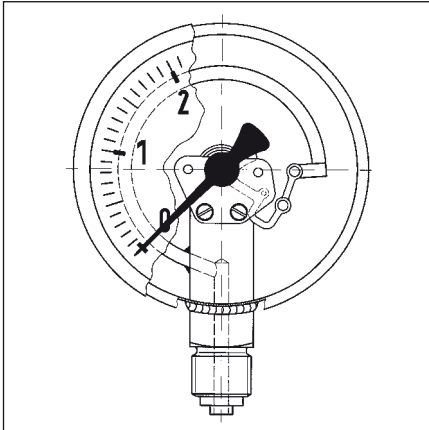


Bourdon tube pressure gauges with glycerine filling, for chemical applications EN 837-1



Application

For aggressive gaseous and liquid media which are not highly viscous and do not crystallize. Suitable for use in corrosive atmospheres.

For measurement in areas with high vibration levels and high, dynamic pressure loads.

! When measuring gas or vapour, the instruments must be used in accordance with the safety recommendations of EN 837-2 (see appendix).

Type

D 8

Nominal size

100 – 160

Accuracy class (EN 837-1/6)

1.0

Ranges (EN 837-1/5)

-1/0 to -1/+15 bar

NG 100 0/0.6 to 0/1,000 bar

NG 160 0/0.6 to 0/1,600 bar

Application area

Static load:

≤ 600 bar = full scale value

> 600 bar = $\frac{3}{4}$ x full scale value

Dynamic load:

≤ 600 bar = 0.9 x full scale value

> 600 bar = $\frac{2}{3}$ x full scale value

Short term:

≤ 600 bar = 1.3 x full scale value

> 600 bar = full scale value

Operating temperature range

Medium: $T_{max} = +150\text{ °C}$

Ambient: $T_{min} = -20\text{ °C}$

$T_{max} = +60\text{ °C}$

Temperature performance

Indication error when the temperature of the measuring element deviates from 20 °C:

rising temp. approx. $\pm 0.4\%$ / 10 K

falling temp. approx. $\pm 0.4\%$ / 10 K

percentage of full scale value

Protection

IP 65 (EN 60529)

with housing vent (≤ 25 bar)

IP 54

Standard version

Connection

Stainless steel 316 Ti or 316 L,

bottom or bottom back

G $\frac{1}{2}$ B- spanner size 22

(EN 837-1/7.3)

Measuring element

Bourdon tube, stainless steel

316 Ti or 316 L

≤ 60 bar „C“ type bourdon tube

> 60 bar helical tube

leak tested (EN 837-1/9.5.6)

Movement

Stainless steel

Dial

Aluminium, white

Dial marking black

Pointer

Aluminium, black

Housing

Stainless steel 304

with blow-out

Bayonet type bezel

Stainless steel 304

Front glass

Laminated safety glass

Filling liquid

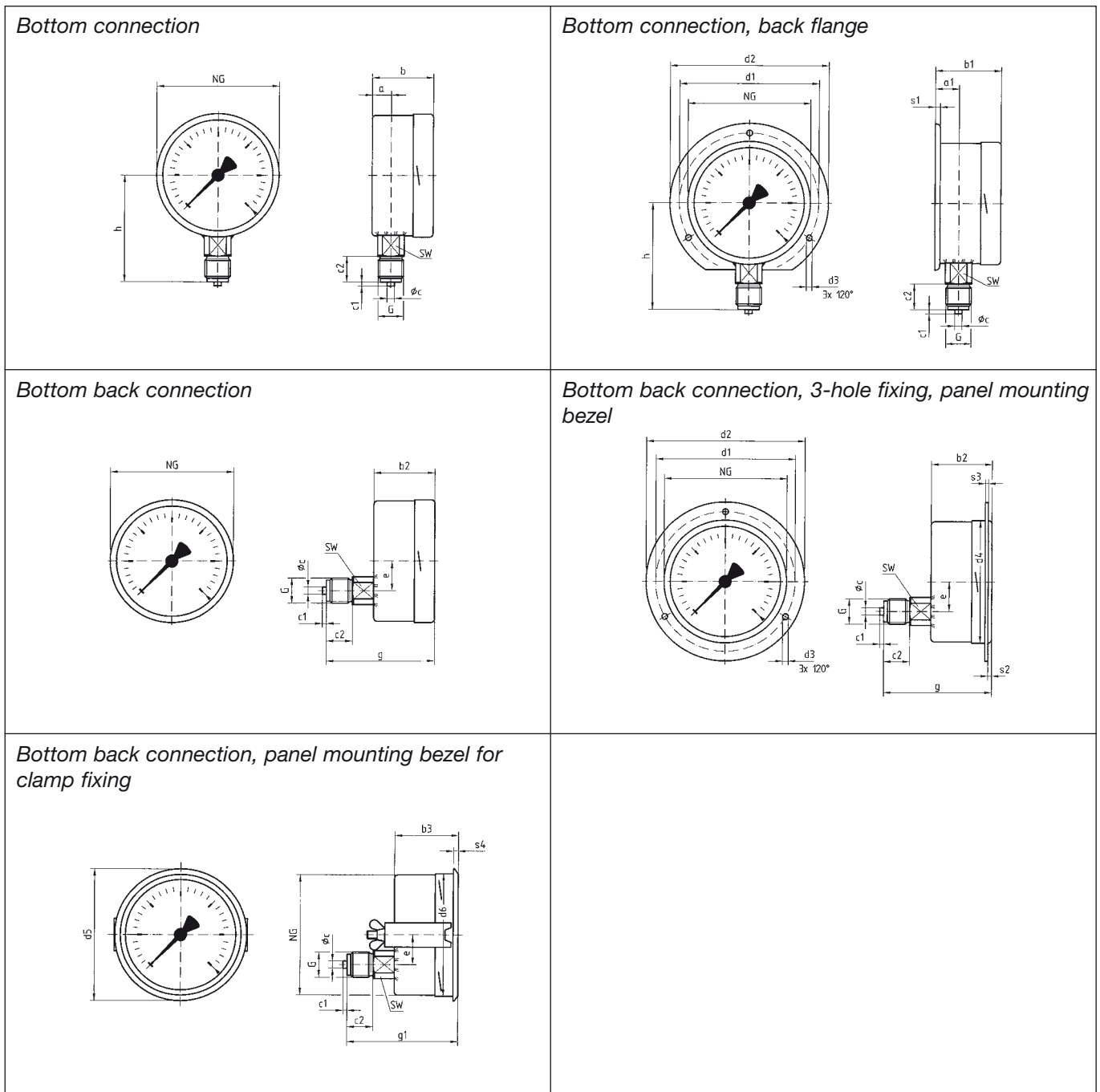
Glycerine (99.5 %)

Options

- Filling liquid silicone oil
- Brass movement
- Back flange
- Panel mounting bezel for clamp fixing
- 3-hole fixing, panel mounting bezel
- Special scales

Bourdon tube pressure gauges with glycerine filling, for chemical applications Type D 8 – NG 100/160

Housing types and dimensions



Dimensions (mm)

Nominal size (NG)	a	a ₁	b	b ₁	b ₂	b ₃	Øc	c ₁	c ₂	d ₁ *	d ₂ *	d ₃ *	d ₄	d ₅	d ₆	e	G	g	g ₁	h	s ₁
100	15.6	19.1	49	52.5	49	49	6	3	20	116	132	4.8	104	107	101	34.5	G ¹ / ₂ B	83	83	86	5.5
160	17.5	20.5	50	53	50	52	6	3	20	178	196	5.8	164	167	161	34.5	G ¹ / ₂ B	84	86	116	6
Nominal size (NG)	s ₂	s ₃	s ₄	SW																	
100	4	2	4	22																	
160	4	2	4.5	22																	

* Dimensions according to DIN 16064