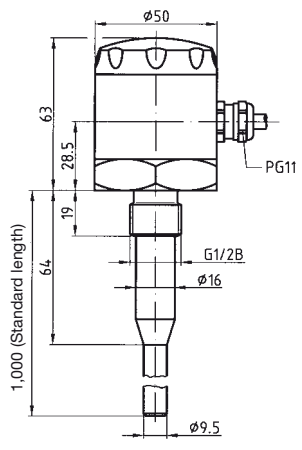
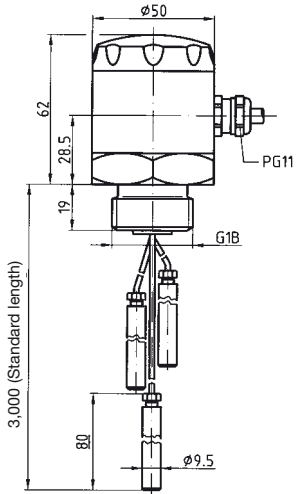
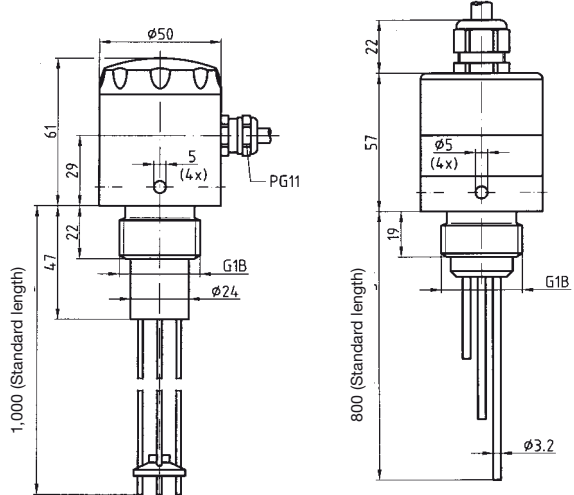
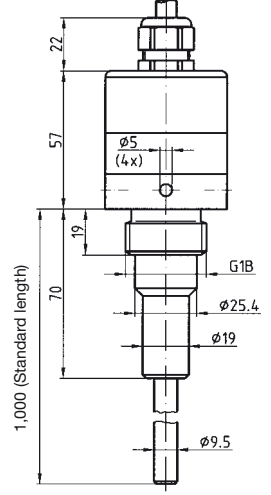
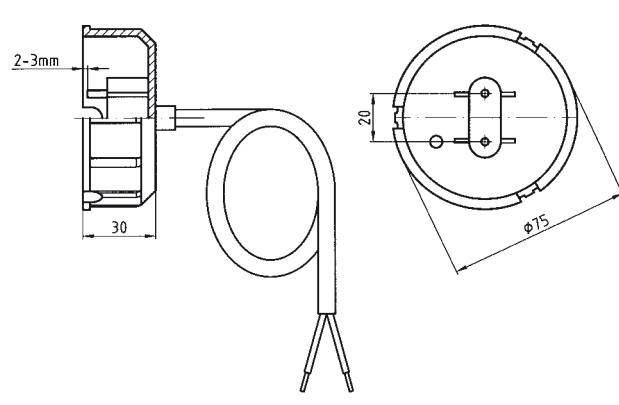
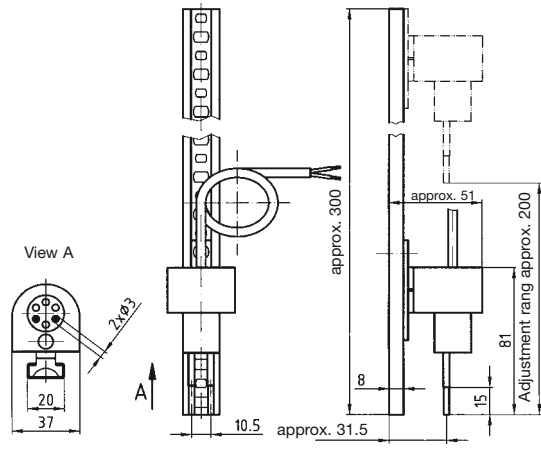


Probes for conductivity level switches

Types and dimensions (in mm)

<p><i>Single-rod probe LST 12</i></p> 	<p><i>Flexible probe LSE 23</i></p> 
<p><i>Multi-rod probes LSM 01/LSM 02</i></p> 	<p><i>Single-rod probe LST 32</i></p> 
<p><i>Floor water probe BWS 11</i></p> 	<p><i>Wall mounted rail probe WSS</i></p> 

Many other special probe versions are available. Please enquire.