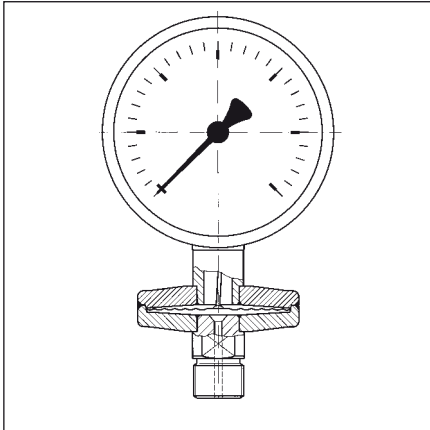


Stainless steel diaphragm pressure gauges EN 837-3



Application

For corrosive, gaseous and liquid media, also suitable for use in corrosive atmospheres. Also suitable for viscous and polluted media in conjunction with open connection flange. With clamp connection especially suitable for hygienic processes.

! When measuring gas or vapour, the instruments must be used in accordance with the safety recommendations of EN 837-2 (see appendix).

Type

D 4

Nominal size

100 – 160

Accuracy class (EN 837-3/6)

1.6

Ranges (EN 837-3/5)

0/40 mbar to 0/25 bar

Application area

Static load:

full scale value

Dynamic load:

0.9 x full scale value

Overpressure safety

1.3 x full scale value

Operating temperature range

Medium: $T_{max} = +100\text{ °C}$

Ambient: $T_{min} = -20\text{ °C}$

$T_{max} = +60\text{ °C}$

Temperature performance

Indication error when the temperature of the measuring element deviates from 20 °C:

rising temp. approx. $\pm 0.8\text{ %}/10\text{K}$

falling temp. approx. $\pm 0.8\text{ %}/10\text{K}$

percentage of full scale value

Protection

IP 54 (EN 60529)

Standard version

Connection

Stainless steel 316 Ti or 316 L, bottom

G $\frac{1}{2}$ B – spanner size 22

(EN 837-3/7.3)

Lower flange

Stainless steel 316 Ti or 316 L

Upper flange

Stainless steel 316 Ti or 316 L

Measuring element

Diaphragm:

40 mbar to 2.5 bar

stainless steel 316 Ti or 316 L

4 bar to 25 bar Duratherm

Movement

Brass

Dial

Aluminium, white

Dial marking black

Pointer

Aluminium, black

Housing

Stainless steel 304

with blow-out

Bayonet type bezel

Stainless steel 304

Front glass

Laminated safety glass

Options

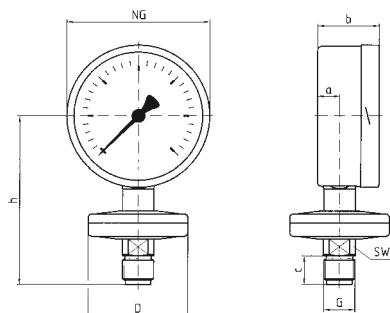
- Glycerine filling
- Wetted parts with special coating
- Clamp connection
- Flush mounting connection flanges according to EN
- Open connection flanges according to EN/ANSI
- Other connection threads
- Electrical contacts ($\geq 0/0.6\text{ bar}$)

Stainless steel diaphragm pressure gauges

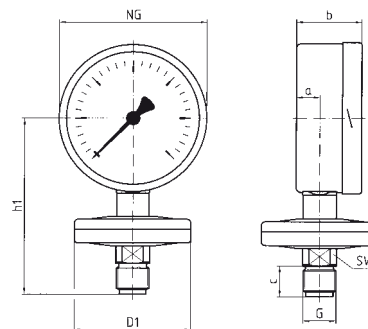
Type D 4 – NG 100/160

Housing types and dimensions (in mm)

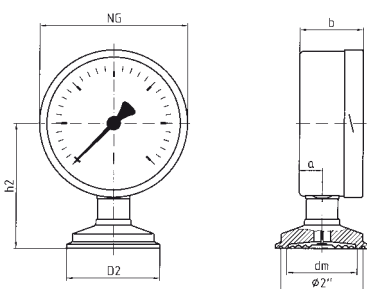
Bottom connection, 0/40 mbar to 0/2.5 bar



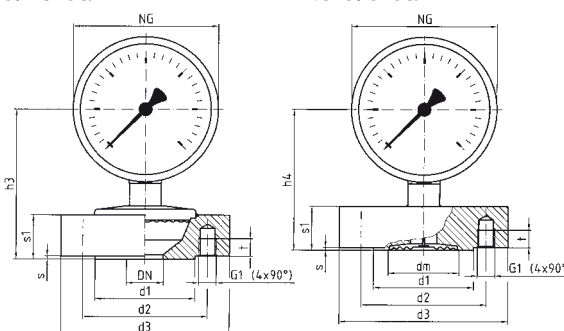
Bottom connection, 0/4 bar to 0/25 bar



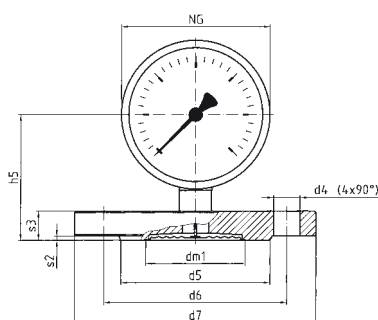
Clamp connection 2" according to ISO 2852, 0/1 bar to 0/6 bar



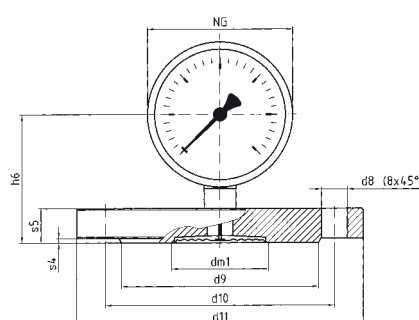
Connection flange according to EN 1092-1/B 1/DN 25/PN 40
Open, 0/40 mbar to 0/25 bar
Flush mounting, 0/1 bar to 0/6 bar



Flush mounting connection flange according to EN 1092-1/B 1/DN 50/PN 40, 0/40 mbar to 0/25 bar



Flush mounting connection flange according to EN 1092-1/B 1/DN 80/PN 40, 0/40 mbar to 0/25 bar



Dimensions (mm)

Nominal size (NG)	a	b	c	d1	d2	d3	d4	d5	d6	d7	d8	d9	d10	d11	dm	dm1	D	D1	D2	DN
100	15.6	49	20	68	85	115	4xØ18	102	125	165	8xØ18	138	160	200	48	68	69	78	64	25
160	17.5	50	20	68	85	115	4xØ18	102	125	165	8xØ18	138	160	200	48	68	69	78	64	25
Nominal size (NG)	G	G1	h	h1	h2	h3	h4	h5	h6	s	s1	s2	s3	s4	s5	SW				
100	G1/2B	4xM12	117	117	86	102	96	86	90	2	30	3	20	3	24	22				
160	G1/2B	4xM12	148	148	117	133	127	117	121	2	30	3	20	3	24	22				