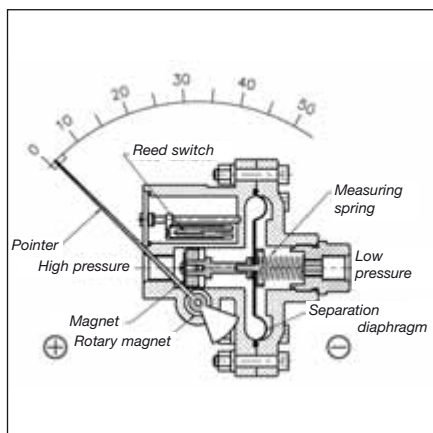


Magnetic diaphragm pressure gauges for very low differential pressure



- Differential pressure ranges starting at 0/2.5 mbar
- Switching contacts can be retrofitted
- IP 65 protection for pressure gauge and switching contact
- Side or back connection
- Delivery includes adapter for hose connection and bracket for control panel mounting



Application

For differential pressure measurements with very low differential pressure. Especially suitable for gaseous media but in particular for monitoring filters and fans in air supply, air conditioning and ultra-clean room applications.

Type

MAG 115 Dif D311

Nominal size

115 mm

Function

The pressures act on two pressure chambers separated by a diaphragm. If there are different pressures in the chambers, a magnet is axially displaced against a pressure spring. This displacement is transmitted to the pointer via a rotary magnet fitted to the pointer hub. The differential pressure is directly displayed.

Accuracy of measurement

±3 % of full scale value (at increasing differential pressure)

Ranges (EN 837-3/5)

0/2.5 mbar to 0/100 mbar

Maximum static pressure

2.4 bar

Overpressure safety

up to 2.4 bar on both sides

Operating temperature range

Medium: $T_{max} = 60\text{ °C}$

Ambient: $T_{min} = 0\text{ °C}$

$T_{max} = 60\text{ °C}$

Protection

IP 65 (EN 60529)

Standard version

Connection (wetted parts)

Nylon 66, glass-fibre reinforced, choice of left and right hand side, or back (use enclosed blind plugs) 2 x 1/8 NPT female thread or 2 x hose connection 5 mm (use enclosed adaptors)

Measuring element (wetted part)

Diaphragm: NBR

Pressure spring: stainless steel 301

Transmission unit:

Stainless steel 301

Magnet (wetted part)

Strontium-ferrite

Seal (wetted part)

NBR

Dial

Aluminium, white

Dial marking black

Scale angle 90° (first graduation after zero at 15% of full scale value)

Pointer

Aluminium, black

Housing

Stainless steel 304 with rubber sealing ring at the front

Front glass

Instrument glass

Mounting

Panel mounting via mounting clips (standard), or wall mounting via back mounting plate (optional) or pipe mounting via a combination of back mounting plate and fixing clamp (optional) for 2" pipe

Options

- Back mounting plate with fixing clamp
- Acrylic front glass
- Electrical contacts (Reed contacts)
- Special scales

Magnetic diaphragm pressure gauges for very low differential pressure *Type D 3 NG 115*

Types and dimensions (mm)

<p>Connection on left and right hand side or back connection</p>	<p>Back mounting plate and fixing clamp</p>
<p>Connection on left and right hand side or back connection with electrical contact</p>	<p>Wiring diagram</p>
<p>Technical specifications electrical contact</p> <p>Version: Reed contact, single pole changeover (SPDT)</p> <p>Max. switching voltage: AC/DC 175 V Max. switch rating: AC 5 VA – DC 5 W Max. current: AC/DC 250 mA Switching hysteresis: approx. 5 % Adjustment range: 40-80 % of full scale value Electrical connection: plug DIN 43650-A</p>	