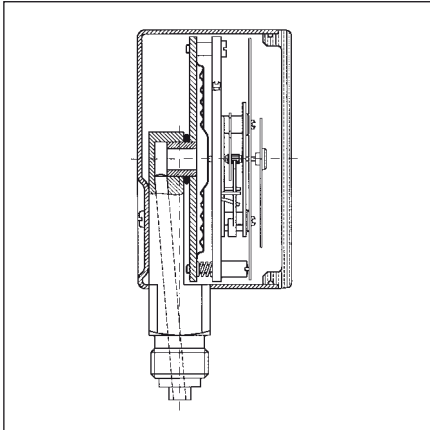


Standard capsule type pressure gauges EN 837-3



Application

For gaseous, dry media which do not attack copper alloys.

! When measuring gas or vapour, the instruments must be used in accordance with the safety recommendations of EN 837-2 (see appendix).

Type

D 4

Nominal size

63 – 100 – 160

Accuracy class (EN 837-3/6)

1.6

Ranges (EN 837-3/5)

NG 63-100 0/25 to 0/1,000 mbar

NG 160 0/6 to 0/1,000 mbar

and all corresponding vacuum and compound ranges with over-pressure protection

Application area

Static load:

full scale value

Dynamic load:

0.9 x full scale value

Overload safety:

1.3 x full scale value

Operating temperature range

Medium: $T_{max} = +60\text{ °C}$

Ambient: $T_{min} = -20\text{ °C}$

$T_{max} = +60\text{ °C}$

Temperature performance

Additional error when the temperature of the measuring element deviates from +20 °C:
 rising temp. approx. $\pm 0.6\text{ \%}/10\text{ K}$
 falling temp. approx. $\pm 0.6\text{ \%}/10\text{ K}$
 percentage of full scale value

Protection

IP 32 (EN 60529)

Standard version

Connection

Brass, bottom or centre back

NG 63 G $\frac{1}{4}$ B – spanner size 14

NG 100 - 160 G $\frac{1}{2}$ B – spanner size 22
 (EN 837-3/7.3)

Measuring element

Capsule element, CuBe alloy

Movement

Brass

Zero correction

From the front

Seal

„Perbunan“ nitrile rubber

Dial

Aluminium, white

Dial marking black

Pointer

Aluminium, black

Housing

Stainless steel 304

Bayonet type bezel

Stainless steel 304

Front glass

Instrument glass

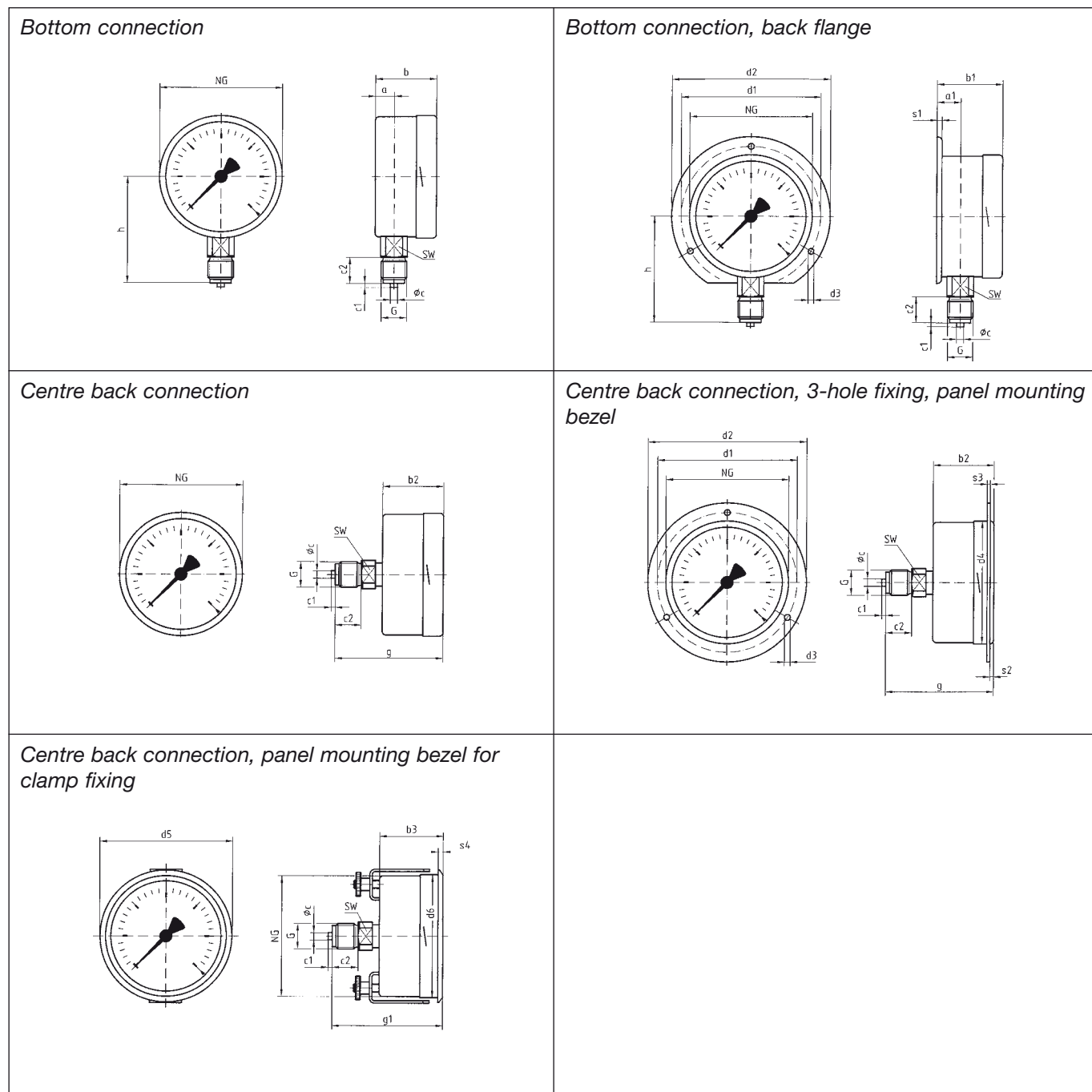
Options

- Overpressure safety 10 x FSD
- Back flange
- Panel mounting bezel for clamp fixing
- 3-hole fixing panel mounting bezel
- Damping screw
- Reference pointer
- Special scales

Standard capsule type pressure gauges

Type D 4 – NG 63/100/160

Housing types and dimensions



Dimensions (mm)

Nominal size (NG)	a	a1	b	b1	b2	b3	ϕ_c	c1	c2	d1*	d2	d3*	d4	d5	d6	G	g	g1	h	s1	s2
63	10,8	13,4	40	42,1	37	37	5	2	13	75	85	3,5	64	68	64	G ¹ /4B	60	60	53	5,2	3
100	15,6	19,1	49	52,5	49	49	6	3	20	116	132	4,8	104	107	101	G ¹ /2B	81	81	86	5,5	4
160	17,5	20,5	50	53	50	52	6	3	20	178	196	5,8	164	167	161	G ¹ /2B	82	84	116	6	4
Nominal size (NG)	s3	s4	SW																		
63	2	3	14																		
100	2	4	22																		
160	2	4,5	22																		

* Dimensions for NG 100 according to DIN EN 837-3