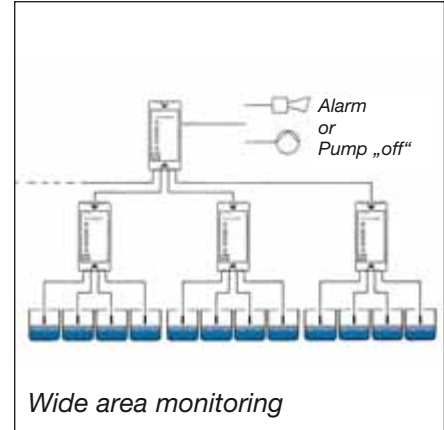
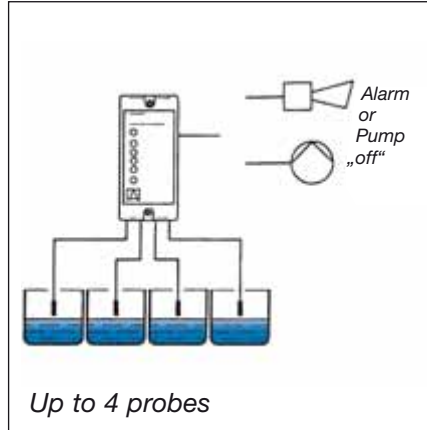


# Conductivity alarm unit

## CoFox® ELT 500/4

01



### Application

Designed for use with electrically conducting liquids which do not foam excessively and are not highly viscous or adhesive (bridging), e.g. water, emulsions or waste water.

The CoFox® ELT 500/4 alarm unit is suitable for use in large installations. Several zones (also large areas) can be monitored simultaneously with electrodes (probes) at various points.

### Description

The CoFox® ELT 500/4 level controller operates on the basis of conductivity. The electrodes connected to the switching unit monitor the status at several points. When one or several electrodes are bridged, the red LED of the corresponding electrode circuit is switched on. For fast and precise location of the leak, a label is provided for each LED. A common voltage-free relay contact can be used to control separate alarm devices (e.g. alarm light or horn). The described function is only activated by electrode signals which are longer than 1 second in duration. The alarm is saved and cannot be reset for the duration of the electrode signal.

The alarm condition must be cleared before the alarm can be reset by pressing the reset button on the unit.

CoFox® ELT 500/4 can be used with a series of probes for large area monitoring with centralised control.

Refer to page 44 for additional application examples.

### Technical specifications

#### Zone monitoring

4 input circuits

#### Switching threshold

50 kOhm

#### Operating temperature range

Ambient: -10 °C/+50 °C

#### Supply voltage

AC 230 V

#### Power consumption

3 VA

#### Probe circuit

Max. AC 3 V

#### Relay output

Relay contact: 1 voltage-free  
changeover contact  
Contact rating: AC 250 V, 500 A

### Visual indication

Yellow LED power „on“  
4 red LEDs alarm condition

### Housing

Wall mounting housing with plug-in base, impact resistant plastic (ABS)  
W x H x D: 53 x 113 x 108 mm

### Protection

IP 30 (EN 60529)

### Probes

The probes are not included. Please order separately (refer to pages 45, 46)! Select according to the operating conditions. Special customer-specific probes are available in addition to the standard probes.

Version	DG	Part no.	Price €
<b>ELT 500/4</b> AC 230 V	E	<b>53505</b>	
Accessories			
<b>Alarm reset unit AQ 220</b>	E	<b>53230</b>	
<b>Combined alarm light and horn</b>	G	<b>61020</b>	
<b>Cable extension fitting KVA</b>	G	<b>40041</b>	